

Specification Sheet

830.200.250 S BRANCH 87.5°

-Pipe diameter: Ø250mm. Branch diameter: Ø200mm
-Stainless steel: AISI316L/EN1.4404

Product Codes

EAN: 5705499121636
VVS Number: 160221549
RSK Number: 1552158
NRF Number: 2170858
LVI Number: 0251970

Specification

Angle (°): 87.5
Length (mm): 352
Material: AISI 316L
Material (EN): EN 1.4404
Outlet Diameter (mm): 250
Type: Branches
Weight (kg): 5,50

Approvals



NO - 0692-16



SE - SITAC 4423/90-17



FR - DTA 14.1/12-1811*V2 EuroPipe



DK - VA 2.12/19349-19



DK - VA 2.12/19350-19



DE - LGA Certificate 57214035 a

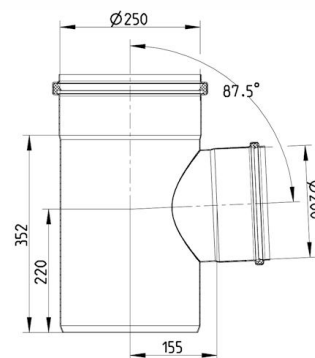
RU - 0212322 Pipes-18

PL - Hygienic Certificate - All products

RINA -MAC285119XG EuroPipe

RS - 19.10097.262

UR - 1055745



BLÜCHER®

A WATTS Brand